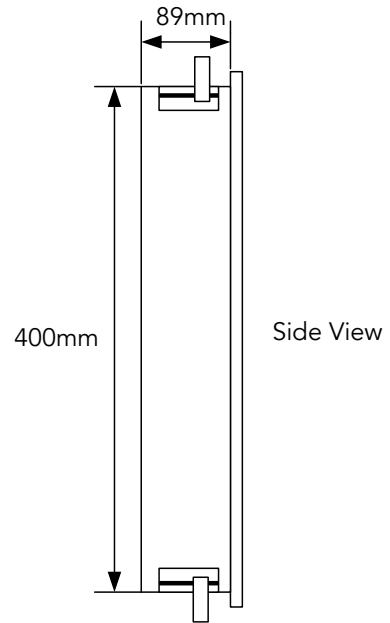
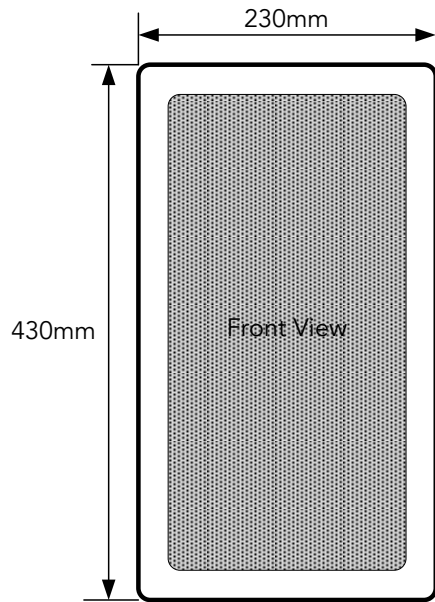




AUDIOVECTOR

Handmade in Denmark since 1979



Minimum Wall Thickness: 9mm  
Maximum Wall Thickness: 60mm

